

Softspan™ Extremity Expanders



The SSP Softspan™ Tissue Expander design concept is the minimization of all critical potential erosion points. To this end, SSP has developed low and flat profile expander designs that can be used in the most difficult of cases while minimizing traditional areas of concern.

The smooth, rectangular-shaped expander incorporates Dr. Bruce Bauer's years of clinical experience in dealing with the most difficult reconstructive expander cases. Rounding of all edges and a remote injection port with the lowest possible point of attachment reduces the initial profile of the expander.

The curvilinear and angle expanders encompass Dr. Hugh Vu's considerable experience with pediatric and adult burn

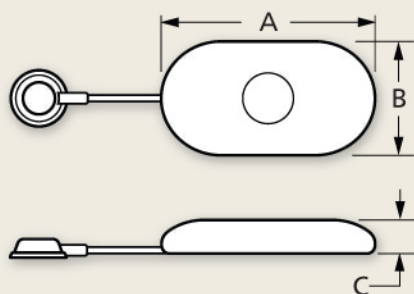
reconstructive cases. Designed to address the unique requirements of large defect reconstruction, the zone texturing utilizes the assets of both smooth and textured surfaces, allowing for ease of expander insertion as well as secure expander/tissue interface.

- ▼ Low initial profile
- ▼ Rounded edges and reduced profiles of all critical reinforced areas minimize potential erosion points
- ▼ Reinforced base facilitates placement and "roll-out" of expander
- ▼ Integrated Precision Point™ magnetic injection port system or remote port options for flexibility in each case
- ▼ Smooth, textured, or zone-textured surface options

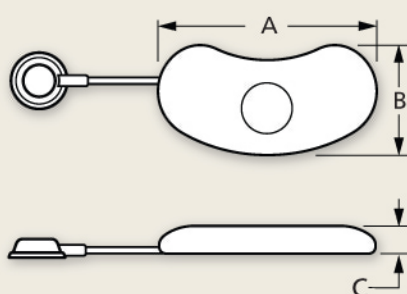


SPECIALTY SURGICAL PRODUCTS, INC.

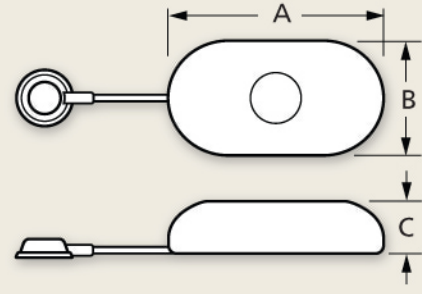
Remote Port Catalog No.		Integrated Port Catalog No.		Suggested Fill Volume (cc)	A Length (cm)	B Width (cm)	C Projection (cm)
Smooth Shell	Textured Shell	Smooth Shell	Textured Shell				
FLAT OVAL†							
SRE-FO-025S*	SRE-FO-025*	N/A	SIE-FO-65	25 - 62	6.5	5.0	1.5 - 4.0
SRE-FO-035S*	SRE-FO-035*	N/A	SIE-FO-76	35 - 89	7.5	6.0	1.5 - 4.3
SRE-FO-060S	SRE-FO-060	N/A	SIE-FO-86	60 - 150	8.5	6.5	1.5 - 5.2
SRE-FO-075S	SRE-FO-075	N/A	N/A	75 - 188	10.0	8.0	1.5 - 5.5
FLAT KIDNEY†							
SRE-FK-025S	SRE-FK-025	N/A	SIE-FK-74	25 - 62	7.0	4.5	1.5 - 3.5
SRE-FK-080S	SRE-FK-080	N/A	SIE-FK-106	80 - 200	10.0	6.0	2.0 - 5.5
SRE-FK-140S	SRE-FK-140	N/A	SIE-FK-127	140 - 350	12.5	7.5	2.5 - 6.5
SRE-FK-270S	SRE-FK-270	N/A	N/A	270 - 675	14.0	9.0	4.0 - 8.0
LOW RECTANGLE†							
N/A	N/A	SIE-LR-064S	SIE-LR-064	60 - 120	6.0	4.0	3.5 - 5.0
SRE-LR-160S	SRE-LR-160	SIE-LR-106S	SIE-LR-106	160 - 320	10.0	6.0	3.5 - 6.2
SRE-LR-200S	SRE-LR-200	SIE-LR-126S	SIE-LR-126	200 - 400	12.0	6.0	3.5 - 6.8
SRE-LR-250S	SRE-LR-250	SIE-LR-127S	SIE-LR-127	250 - 500	12.0	7.0	3.8 - 7.4
SRE-LR-340S	SRE-LR-340	SIE-LR-157S	SIE-LR-157	340 - 680	15.0	7.5	3.8 - 8.0
LOW RECTANGLE – Pull tabs and port with approx. 30cm tubing							
SHR-LR-110S**	N/A	N/A	N/A	110 - 220	12.0	4.0	3.2 - 5.4
SHR-LR-150S**	N/A	N/A	N/A	150 - 300	15.0	4.0	3.3 - 5.4
SHR-LR-200S**	N/A	N/A	N/A	200 - 400	20.0	4.0	3.3 - 5.8
RECTANGLE†							
BTE070	SPR070	N/A	N/A	70 - 90	6.0	4.0	3.5 - 4.6
BTE250	SPR250	N/A	N/A	250 - 300	10.0	6.0	5.0 - 6.3
BTE350	SPR350	N/A	N/A	350 - 420	12.0	6.0	5.0 - 7.0
BTE500**	SPR500**	N/A	N/A	500 - 600	12.0	7.0	6.0 - 7.8
BTE750**	SPR750**	N/A	N/A	750 - 900	15.0	7.5	7.0 - 9.0
BTE1000**	SPR1000**	N/A	N/A	1000 - 1200	17.0	8.0	8.0 - 10.2
BTE1200**	N/A	N/A	N/A	1200 - 1400	20.0	8.5	8.5 - 10.4



FLAT OVAL



FLAT KIDNEY



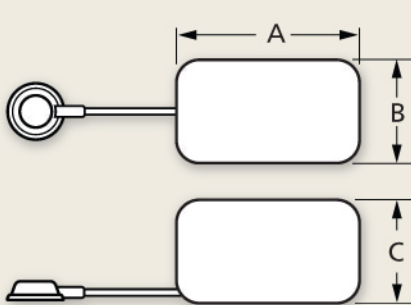
LOW RECTANGLE

* No reinforced base on this size.

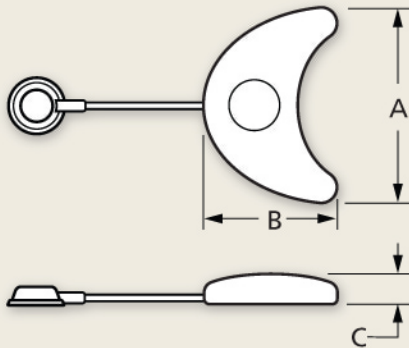
** LARGE remote port. All others are STANDARD. † Remote port has approx. 17cm tubing.

Softspan™ Extremity Expanders

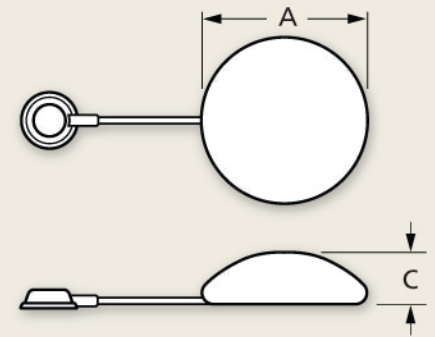
Remote Port Catalog No.		Integrated Port Catalog No.		Suggested Fill Volume (cc)	A Length (cm)	B Width (cm)	C Projection (cm)
Smooth Shell	Textured Shell	Smooth Shell	Textured Shell				
RECTANGLE – Port with approx. 30cm tubing							
SHR-LR-020S**	N/A	N/A	N/A	20 - 40	4.0	2.7	2.5 - 3.5
SHR-LR-030S**	N/A	N/A	N/A	30 - 60	4.1	3.6	3.6 - 4.0
SHR-LR-070S**	N/A	N/A	N/A	70 - 140	6.0	4.0	3.5 - 5.5
SHR-LR-075S**	N/A	N/A	N/A	75 - 150	8.0	4.0	3.0 - 4.6
SHR-LR-100S**	N/A	N/A	N/A	100 - 200	10.0	4.0	3.5 - 5.0
SHR-LR-160S**	N/A	N/A	N/A	160 - 320	10.0	6.0	3.5 - 6.2
SHR-LR-250S**	N/A	N/A	N/A	250 - 500	12.0	7.0	3.8 - 7.4
SHR-LR-340S**	N/A	N/A	N/A	340 - 680	15.0	7.5	3.8 - 8.0
SHR-LR-500S**	N/A	N/A	N/A	500 - 1000	27.5	7.6	2.5 - 6.5
CRESCENT †							
SRE-CR-045S	SRE-CR-045	SIE-CR-045S	SIE-CR-045	45 - 90	8.7	5.5	2.7 - 4.5
SRE-CR-100S	SRE-CR-100	SIE-CR-100S	SIE-CR-100	100 - 200	10.5	7.4	3.3 - 5.8
SRE-CR-200S	SRE-CR-200	SIE-CR-200S	SIE-CR-200	200 - 400	13.7	10.5	4.0 - 7.0
SRE-CR-350S**	SRE-CR-350**	SIE-CR-350S	SIE-CR-350	350 - 700	15.0	11.2	5.5 - 8.5
ROUND †							
SRE-RD-220S	SRE-RD-220	N/A	N/A	220 - 270	9.4	9.4	4.5 - 5.9
SRE-RD-270S	SRE-RD-270	N/A	N/A	270 - 320	10.2	10.2	4.8 - 6.0
SRE-RD-320S**	SRE-RD-320**	N/A	N/A	320 - 380	10.8	10.8	5.0 - 6.4
SRE-RD-380S**	SRE-RD-380**	N/A	N/A	380 - 430	11.3	11.3	5.4 - 6.5
SRE-RD-430S**	SRE-RD-430**	N/A	N/A	430 - 500	11.5	11.5	5.6 - 6.9
SRE-RD-500S**	SRE-RD-500**	N/A	N/A	500 - 640	12.2	12.2	6.0 - 8.0
SRE-RD-640S**	SRE-RD-640**	N/A	N/A	640 - 750	13.1	13.1	6.7 - 8.2
SRE-RD-750S**	SRE-RD-750**	N/A	N/A	750 - 860	14.0	14.0	6.9 - 8.5
SRE-RD-860S**	SRE-RD-860**	N/A	N/A	860 - 1020	14.5	14.5	7.7 - 9.0



RECTANGLE



CRESCENT

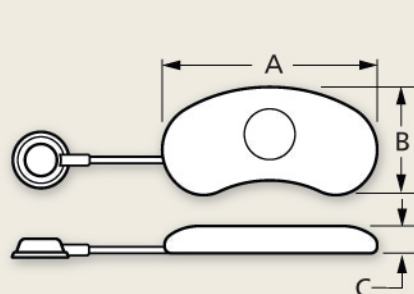


ROUND

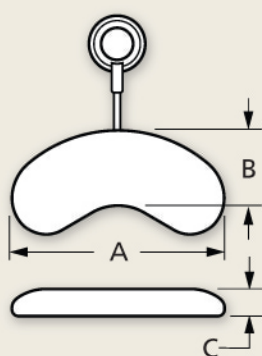


SPECIALTY SURGICAL PRODUCTS, INC.

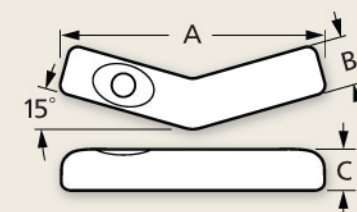
Remote Port Catalog No.		Integrated Port Catalog No.		Suggested Fill Volume (cc)	A Length (cm)	B Width (cm)	C Projection (cm)
Smooth Shell	Textured Shell	Smooth Shell	Textured Shell				
CURVILINEAR[†]							
SRE-CV-320S	SRE-CV-320	N/A	VU-CTE-320	320 - 480	19.0	6.5	3.8 - 6.3
SRE-CV-520S**	SRE-CV-520**	N/A	VU-CTE-520	520 - 780	23.8	7.5	4.5 - 7.0
SRE-CV-720S**	SRE-CV-720**	N/A	VU-CTE-720	720 - 1080	26.2	9.0	4.7 - 7.5
CURVILINEAR – Port with approx. 10.25cm tubing							
FME-CV-300S**	N/A	N/A	N/A	300 - 480	18.0	6.0	5.0 - 6.3
FME-CX-300S**	N/A	N/A	N/A	300 - 480	18.0	6.0	5.0 - 6.3
CURVILINEAR – Port with approx. 30cm tubing							
SHR-CV-320S**	N/A	N/A	N/A	320 - 480	19.0	6.5	3.8 - 6.3
SHR-CV-520S**	N/A	N/A	N/A	520 - 780	23.8	7.5	4.5 - 7.0
SHR-CV-720S**	N/A	N/A	N/A	720 - 1080	26.2	9.0	4.7 - 7.5
SHR-CV-750S**	N/A	N/A	N/A	750 - 1400	29.8	8.0	3.6 - 7.5
ELLIPSOID – Port with approx. 30cm tubing							
SHR-EL-010S**	N/A	N/A	N/A	10 - 15	3.2	2.4	2.5 - 3.0
ANGLE							
N/A	N/A	N/A	VU-ATE-200	200 - 300	19.0	4.0	3.5 - 4.5
N/A	N/A	N/A	VU-ATE-450	450 - 650	23.5	5.0	4.5 - 6.0
WEDGE[†]							
SRE-WG-100S	SRE-WG-100	N/A	N/A	100 - 120	8.3	5.5	4.5 - 5.5
SRE-WG-250S	SRE-WG-250	N/A	N/A	250 - 300	10.5	7.5	6.0 - 7.3
CALF[†]							
SRE-CC-500S*	N/A	N/A	N/A	500 - 600	19.0	8.0	5.5 - 7.0



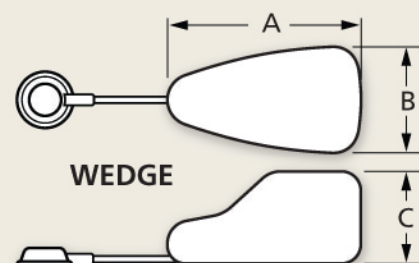
CURVILINEAR



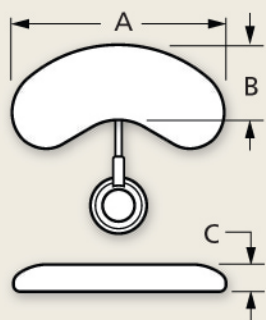
CURVILINEAR (FME-CX)



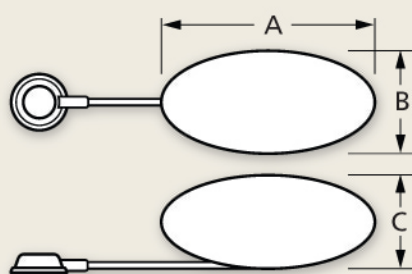
ANGLE



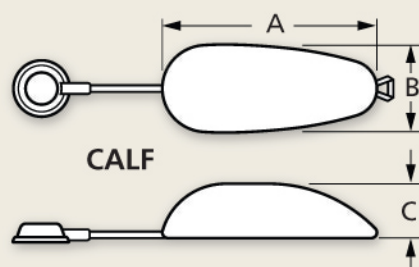
WEDGE



CURVILINEAR (FME-CV)



ELLIPSOID



CALF



SPECIALTY SURGICAL PRODUCTS, INC.

1123 NORTH US HIGHWAY 93 • VICTOR, MT 59875 • 888.878.0811 • 406.961.0102 • 406.961.0103 FAX

WWW.SSP-INC.COM